

Labilis Composition

DESIGN | PAOLO CASTELLI



Finishes of the above picture



Metal Black
Matt
varnished



Metal Finish
Matt Bronzed
Brass

Un nuovo alfabeto grafico fatto di essenziali elementi geometrici che disegnano nello spazio contemporanee forme di luce. Tre anelli di diverso diametro installabili singolarmente o in composizione da 4, 7 e 10 anelli. L'anello in metallo è finitura nero opaco con diffusore di luce led in policarbonato opalino bianco perimetrale. Ogni anello monta uno spot in ottone finitura bronzo ottone opaco. Gli anelli presentano tre cavi di sospensione, di cui uno di alimentazione. Cavi elettrici della lunghezza di due mt.

Optionals su richiesta: anelli dimmerabili; rosoni cilindrici in metallo con alimentatore interno, adatto per installazione a soffitto.



Rosone cilindrico in metallo con alimentatore interno, adatto per installazione a soffitto (optional)*.

Metal cylindrical rose holding local drivers, suitable for ceiling installation (optional)*.

Dim. Ø9 x h 20cm

A new graphic alphabet consisting of essential geometric elements that create contemporary light forms in the space. Three rings in different diameters can be installed separately or as composition (4, 7, 10 rings).

The metal ring is in satin black finish, with light diffuser in white opal polycarbonate along the perimeter. Each ring carries a LED spot in mat brass bronze finish. Each ring has three suspension cables, one of which is a power supply one. Electric cables are two meters long.

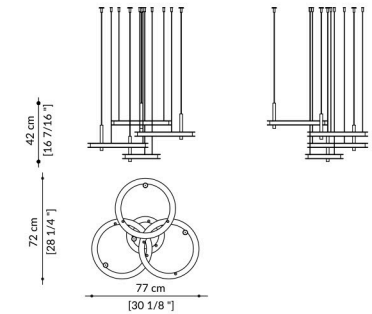
Optionals available on request: dimmable rings; metal cylindrical roses holding local drivers, suitable for ceiling installation.



4 RINGS

TECHNICAL SHEET 4 RINGS

Light source: Strip Led 140 Led/m + spot led (4X)
Total power: 35W - Strip led 14,4W/m; spot 4,2W (10X)
Voltage: 230 V
Rated luminous flux spots: 1320Lm
Rated luminous flux strip led: 6357 Lm
Colour temperature: 2700° K
Colour rendering index: 90
Dimmer function: Yes - only for rings
Cables lenght: 2mt
Weight: 18 Kg



4 RINGS | ILL.LABI.230

1 ring Ø27 + 3 rings Ø43 in metal matt black varnished and led spots in matt bronzed brass - Remote drivers

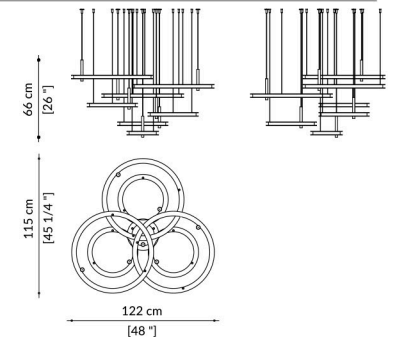
OPTIONAL*

4 metal cylindrical roses holding local drivers, suitable for ceiling installation

7 RINGS

TECHNICAL SHEET 7 RINGS

Light source: Strip Led 140 Led/m + spot led (7X)
Total power: 77W - Strip led 14,4W/m; spot 4,2 W (7X)
Voltage: 230 V
Rated luminous flux spots: 2310 Lm
Rated luminous flux strip led: 14928 Lm
Colour temperature: 2700° K
Colour rendering index: 90
Dimmer function: Yes - only for rings
Cables lenght: 2mt
Weight: 40 Kg



7 RINGS | ILL.LABI.220

1 ring Ø27 + 3 rings Ø43 + 3 rings Ø70 in metal matt black varnished and led spots in matt bronzed brass - Remote drivers

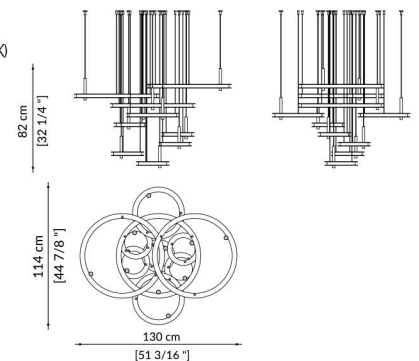
OPTIONAL*

N°7 metal cylindrical roses holding local drivers, suitable for ceiling installation

10 RINGS

TECHNICAL SHEET 10 RINGS

Light source: Strip Led 140 Led/m + spot led (10X)
Total power: 97W - Strip led 14,4W/m; spot 4,2W (10X)
Voltage: 230 V
Rated luminous flux spots: 3300Lm
Rated luminous flux strip led: 17541 Lm
Colour temperature: 2700° K
Colour rendering index: 90
Dimmer function: Yes- only for rings
Cables lenght: 2mt
Weight: 48 Kg



10 RINGS | ILL.LABI.210

N° 10 tubes spot LED I finish matt bronzed brass
5 rings Ø27 + 2 rings Ø43 + 3 rings Ø70 in metal matt black varnished and led spots in matt bronzed brass - Remote drivers

OPTIONAL*

N°10 metal cylindrical roses holding local drivers, suitable for ceiling installation





◀ L'illuminazione tecnica degli spot completa quella decorativa creata dai cerchi luminosi.

Technical illumination of the spots combined with decorative bright circles.